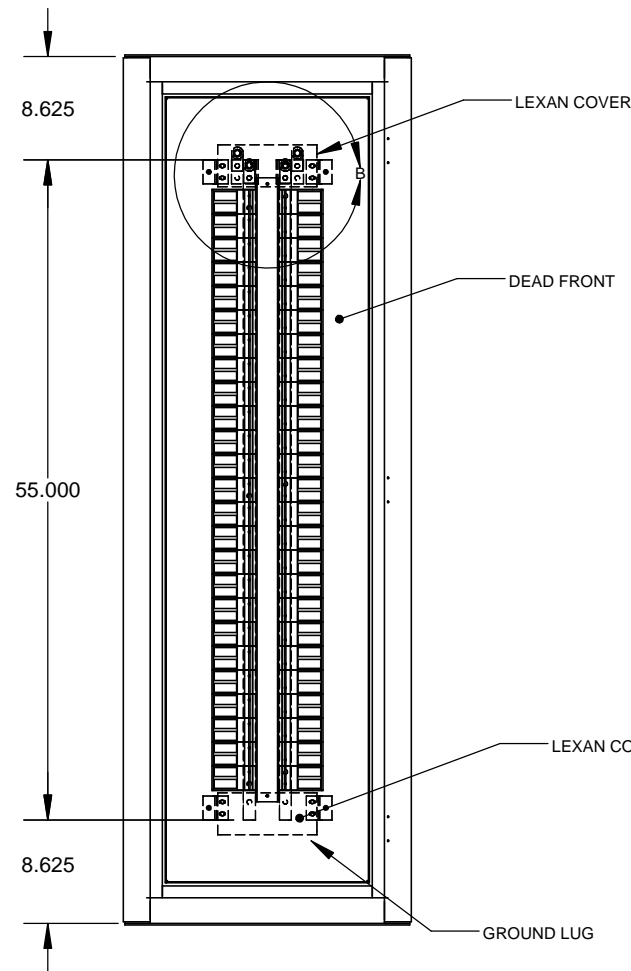
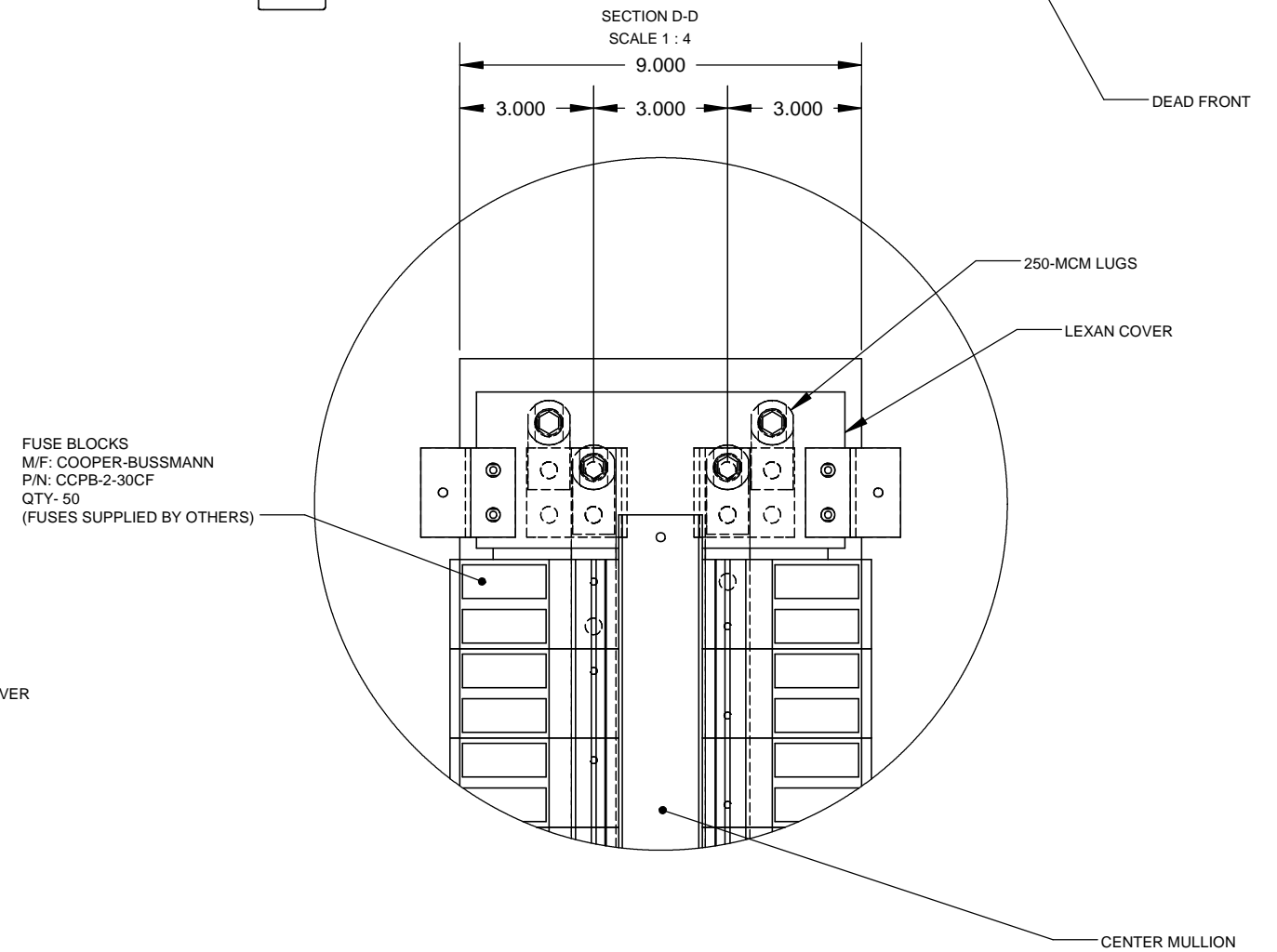
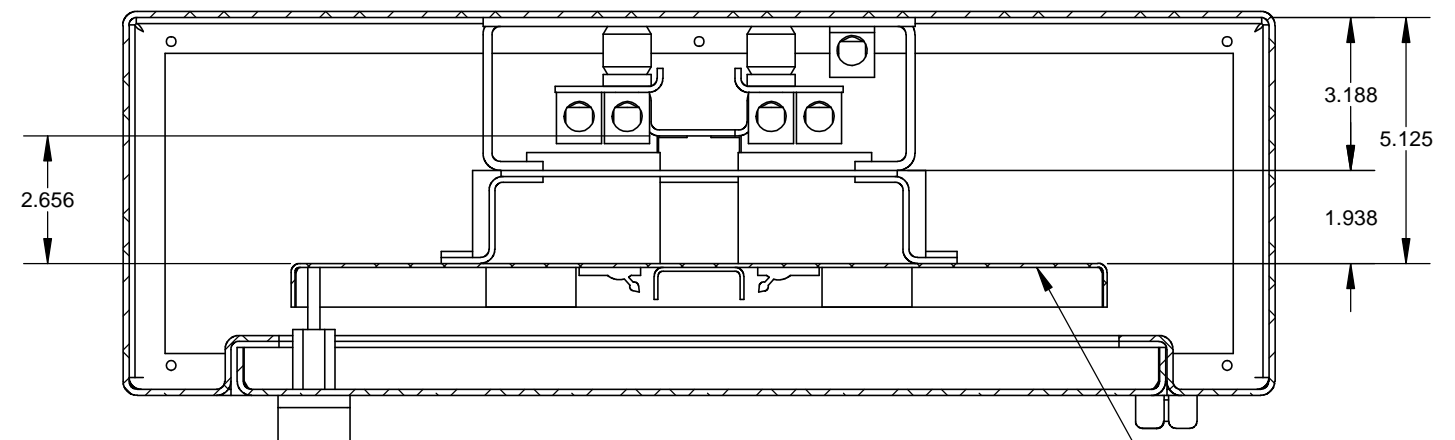


FRONT VIEW



FRONT VIEW  
(DOOR REMOVED)



DETAIL B  
SCALE 1 : 4

FUSE BLOCKS  
M/F: COOPER-BUSSMANN  
P/N: CCPB-2-30CF  
QTY- 50  
(FUSES SUPPLIED BY OTHERS)

MISCELLANEOUS NOTES

REV. #	DATE	BY	REVISION DESCRIPTION
1	1/18/16	ETR	REVISED DEADFRONT CUTOUT
-	-	-	-
-	-	-	-
-	-	-	-
-	-	-	-
-	-	-	-
-	-	-	-
-	-	-	-
-	-	-	-
-	-	-	-

CONSTRUCTION NOTES		VOLTAGE	125 VDC	CERTIFICATION	-
PHASE	-	ENCL. TYPE	NEMA 1	DRAWN DATE	1/6/2016
WIRE	-	ENCL. MATERIAL	1/8" ALUMINUM	DRAWN BY	ETR
FREQUENCY	-	ENCL. PAINT	ANSI 61	CHECK BY	-
S.C. RATING	10 KAIC	CONTROL WIRE TYPE	-	ENGINEER	-
PHASE BUS	250A	PT/CT WIRE SIZE	-	CONTRACTOR	-
NEUTRAL BUS	-	CONTROL WIRE SIZE	-	DISTRIBUTOR	-
BUS MATERIAL	COPPER	WIRE LABELS	-		
GND. BUS	LUG	EXT. LABELS	-		

JOB NAME	XCEL ENERGY 50 CIRCUIT DC PANEL PN: 3300-1-1-20		
SHEET TITLE	-	-	-

SERIAL NUMBER	DRAWING TYPE	SHEET
-	EL	1
ORDER NUMBER	SCALE	
-	NA	

**STATES MANUFACTURING**

THIS DOCUMENT IS THE PROPERTY OF STATES MANUFACTURING IT CONTAINS PROPRIETARY AND CONFIDENTIAL INFORMATION WHICH MUST NOT BE DUPLICATED, USED OR DISCLOSED OTHER THAN AS EXPRESSLY AUTHORIZED BY STATES MANUFACTURING LOCATED IN MINNEAPOLIS MINNESOTA.